

componendo

serie TINO

accessori da bagno da incasso / built in bathroom fittings





ACCIAIO INOSSIDABILE PER L'ARREDAMENTO



made in Italy

STAINLESS STEEL FOR INTERIORS

Nello stemma del XIII secolo del Comune di Fabriano è rappresentato un fabbro che lavora il ferro, una attività che si tramanda da secoli nel nostro territorio. Questa sapienza antica di lavorare la materia è stata tramandata fino ai nostri giorni

A locksmith working iron is represented in the armorial bearings of XIII century of Fabriano, traditional activity which has been handed over from father to son for centuries in our territory. This old knowledge to work this material it has been passed down until our days



“Perfection is achieved, not when there is nothing more to add, but when there is nothing left to take away.” – Antoine de Saint-Exupéry

Remove rather than add. Eliminate redundancy, leave aside any overabundance. Simplify, camouflage and model minimal shapes. The **TINO collection** plays on the strength of sensory absence through a series of functional accessories that integrate with the walls so as not to interrupt the linearity of the space, but still remaining present to offer the essence of comfort and meet the need for pure aesthetics.





Serie **TINO**

TR02

componendo



Serie **TINO**

accessori da incasso/ built in fittings

componendo

"Less is more"

Appear less to be more. Less visibility, more cleanliness and functionality. With its shapes, perfectly integrated within the wall, the stainless retractable **brush holder** made of steel gives the ideal combination of utility, rationality, discretion and sophistication.



Serie **TINO**

TS01

portascopino / brush holder



Serie **TINO**
TS01
portascopino / brush holder

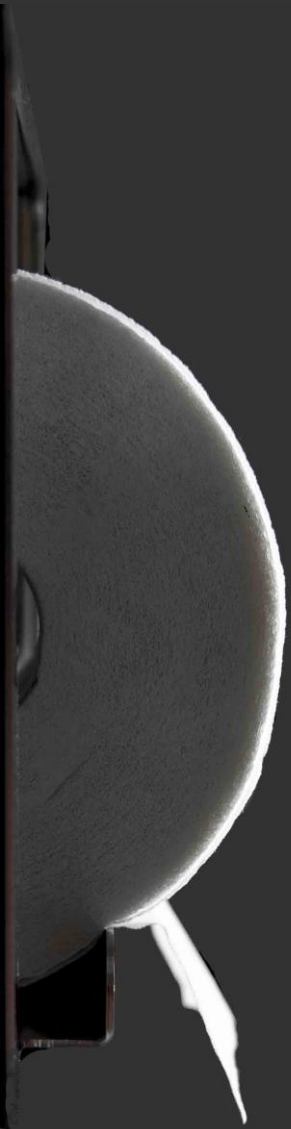


Serie TINO

TR02 – TS01

componendo

Linearity and geometry transform a simple accessory such as the toilet **paper holder** into a stylish element that reduces the size to a minimum, to the essential, for a space-saving solution that does not renounce the elegance of the steel finish.



Serie **TINO**
TR02
porta rotolo / paper holder

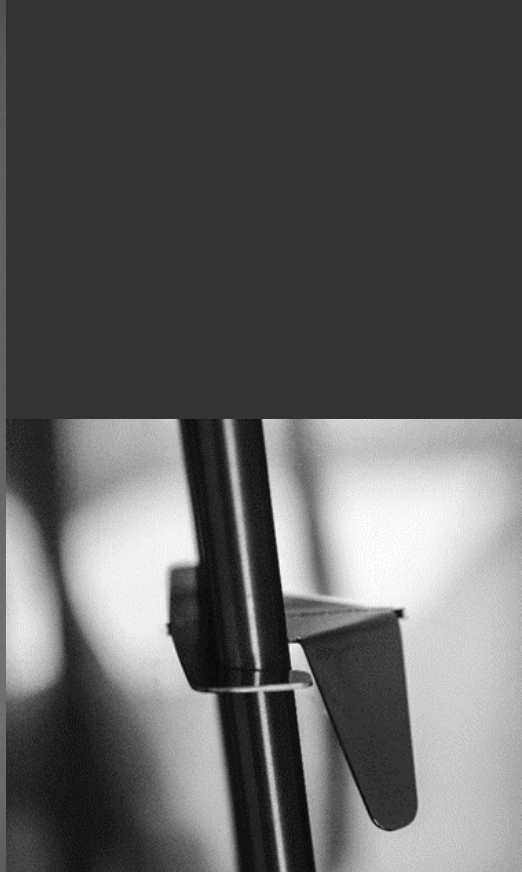


Serie **TINO**

TR02

porta rotolo / paper holder

componendo



Serie TINO

componendo

"The beauty you notice, the functionality you discover"

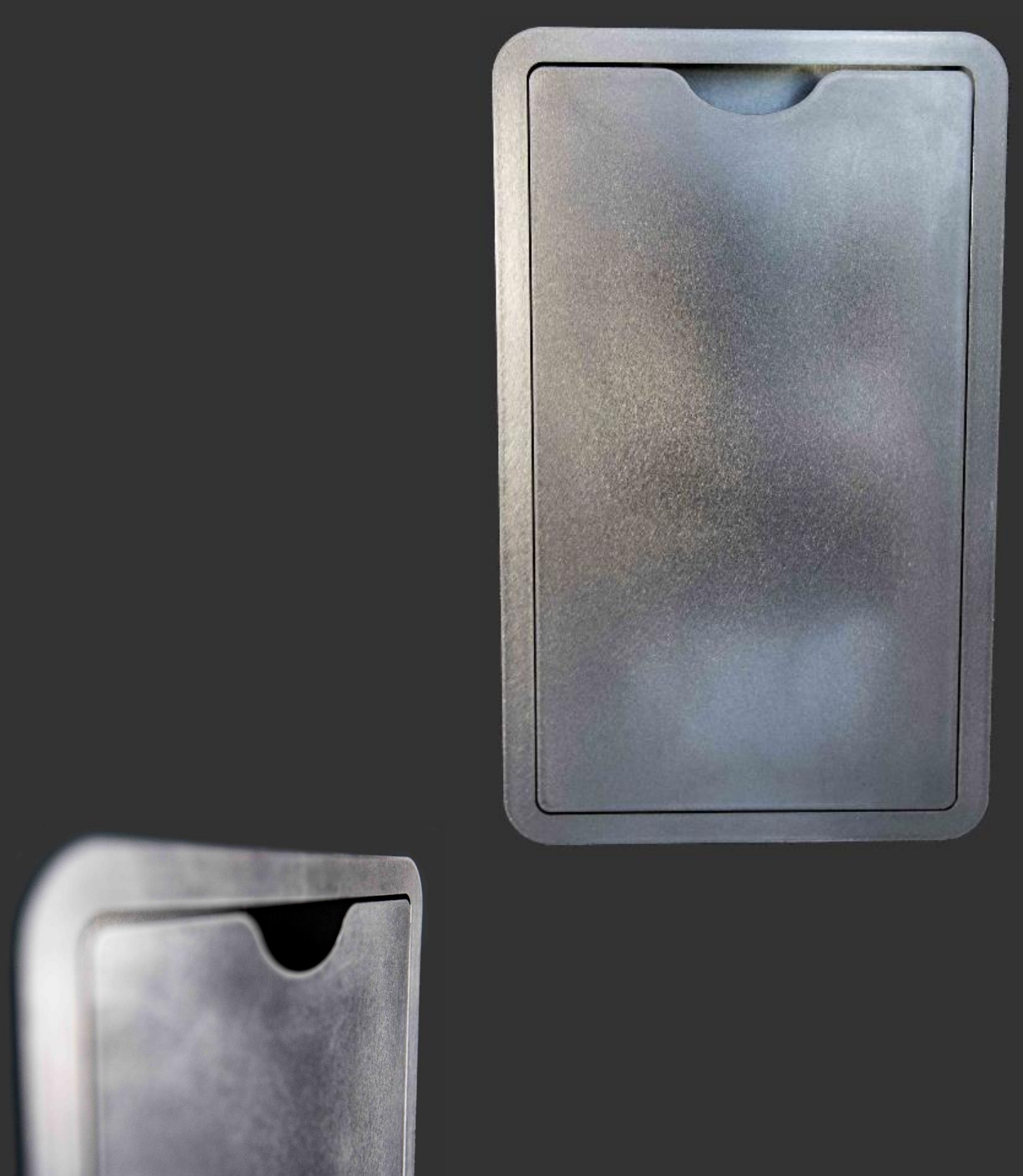
A very simple silhouette that shows off the design lines of steel and conceals the maximum functionality of a bathroom accessory, the **waste holder**, that is both a contemporary furnishing element and a smart object.



Serie **TINO**

TV01

porta rifiuti / waste holder

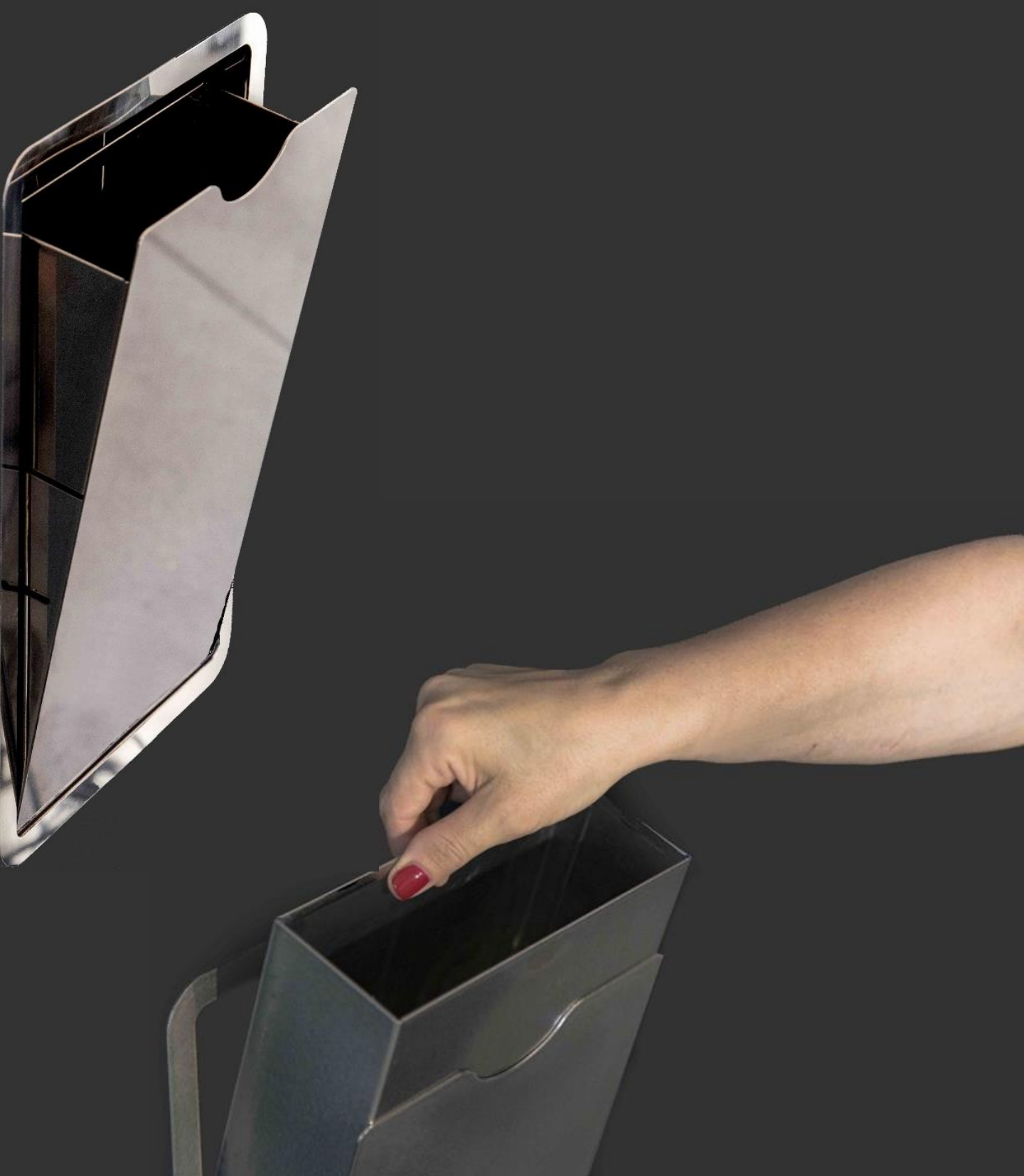


Serie **TINO**

TV01

porta rifiuti / waste holder

componendo



Serie **TINO**
TV01

componendo



Serie TINO
TS01 –TR022 - TN15 / 15x30

componendo

Leave the walls free of projections and enrich the surfaces with **niches** storage . A new way of enhancing spaces, with essential lines, basic shapes and a neutral color, that of stainless steel whose natural light shapes the niches giving depth and atmosphere.



Serie **TINO**
nicchie / niches



Serie **TINO**
nicchie / niches

componendo





TINO TN15



TINO TN30



TINO TN60

Serie **TINO**

TN15 / 15 x 30

TN30 / 30 x 30

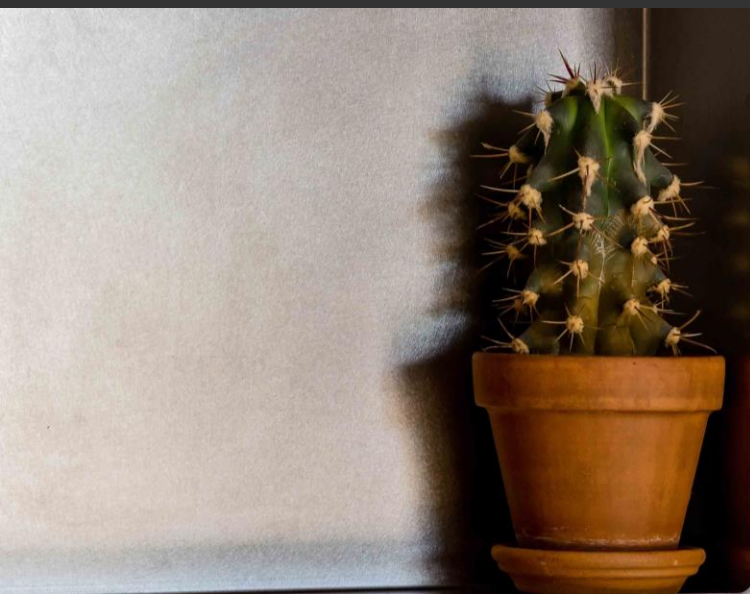
TN60 / 60 x 30



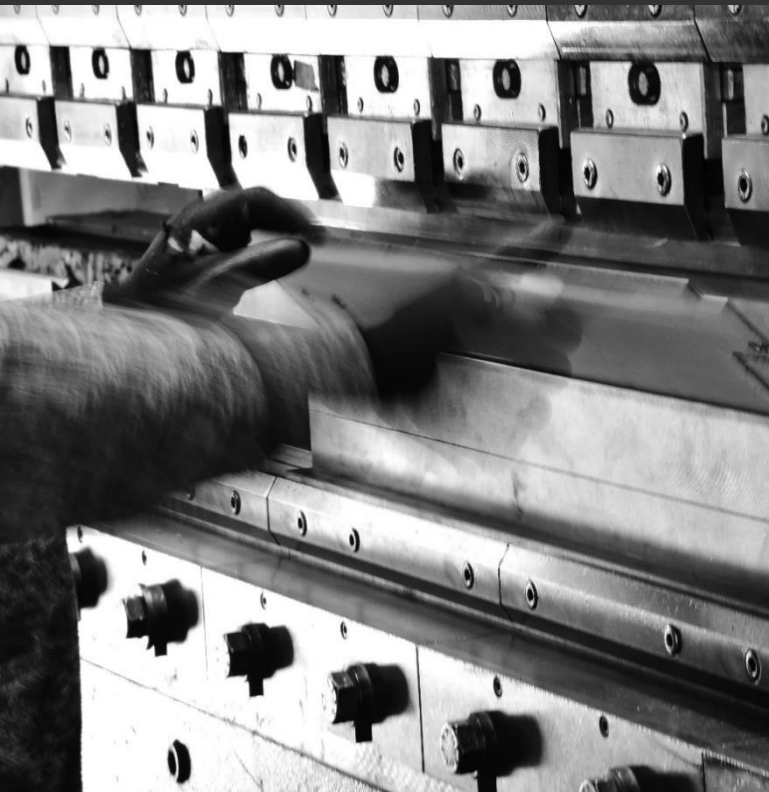
finitura lucida
glossy finish

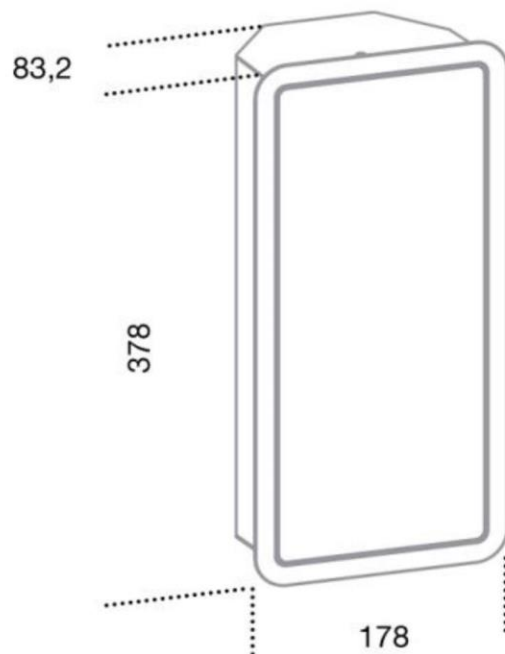


finitura satinata
brushed finish

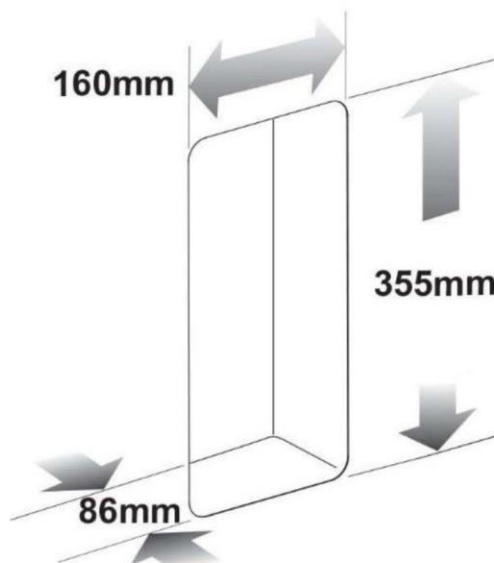


finitura stari
stari finish





Misure per foro incasso nella parete
Sizes for built-in hole on the wall



serie **TINO**

Articolo: **TS01**

tipologia **porta scopino da incasso**

Finiture: **lucida** **satinata** **stati**

Materiale: **Acciaio inossidabile AISI 304**

Spessore acciaio: **mm 1,2**

Bacinella estraibile: **ABS**

Peso lordo : **kg 5 ca.**

Imballo: **scatola**

Dimensioni imballo: **cm 40x20x12**

Profondità incasso: 80 mm **incassabile in tutte le pareti**

serie **TINO**

Article: **TS01**

typology **brush holder built in**

Finishes: **glossy** **brushed** **stati**

Material: **Stainless steel AISI 304**

Steel thickness: **mm 1,2**

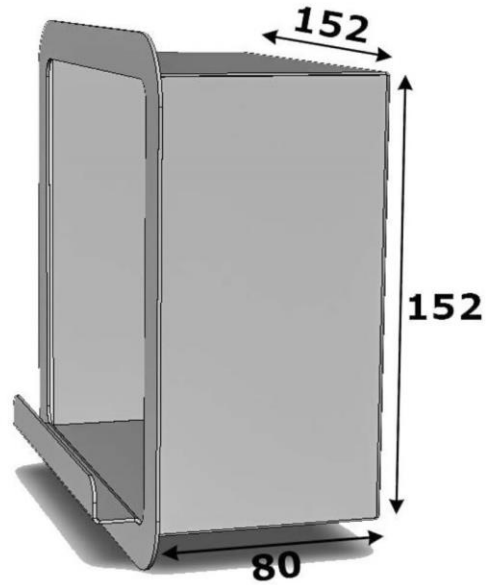
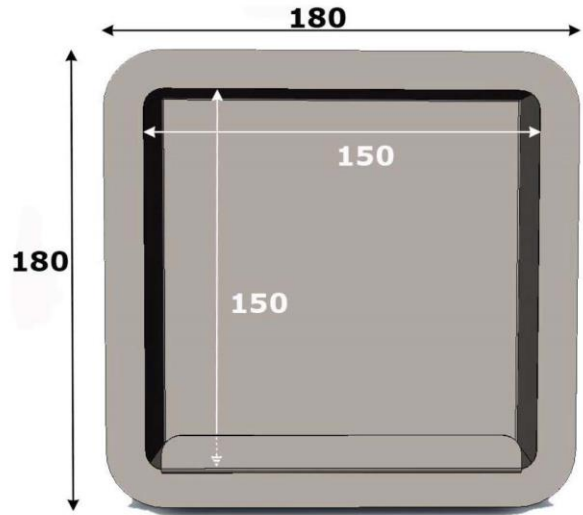
removable bowl: **ABS**

Gross weight: **kg 5 ca**

Packing: **wooden crate**

Packing dimension: **cm 40x20x12**

Recessed depth: 80 mm **cashable in all the walls**

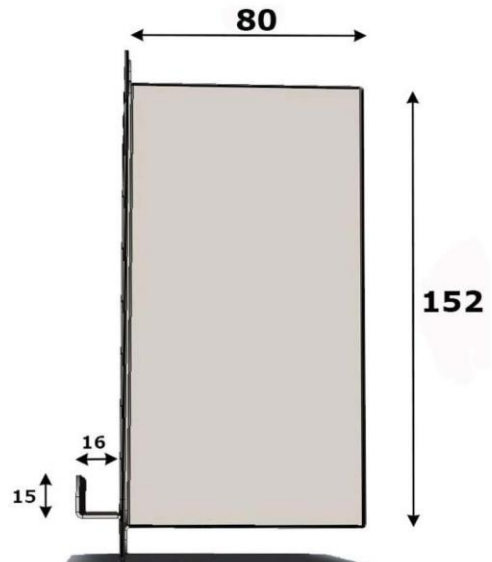


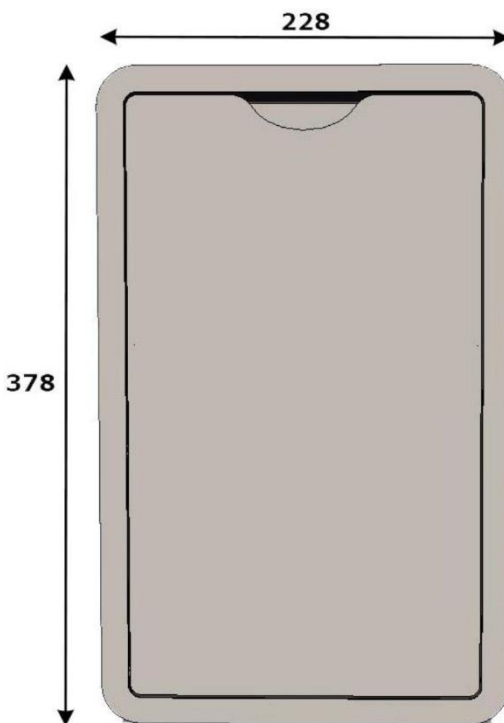
serie **TINO**
 Articolo: **TR02**
 tipologia **porta rotolo da incasso**
 Finiture: **lucida satinata stari**
 Materiale: **Acciaio inossidabile AISI 304**
 Spessore acciaio: **mm 1,2**
 Peso lordo : **kg 2,2**
 Imballo: **cassa in legno**
 Dimensioni imballo: **cm 20x20x10**

Profondità incasso: 80 mm incassabile in tutte le pareti

serie **TINO**
 Article: **TR02**
 typology **paper holder built in**
 Finishes: **glossy brushed stari**
 Material: **Stainless steel AISI 304**
 Steel thickness: **mm 1,2**
 Gross weight: **kg 2,2**
 Packing: **wooden crate**
 Packing dimension: **cm 20x20x10**

Recessed depth: 80 mm cassabile in all the walls





serie **TINO**

Articolo: **TV01**

tipologia **porta rifiuti da incasso**

Finiture: **lucida satinata stari**

Materiale: **Acciaio inossidabile AISI 304**

Spessore acciaio: **mm 1,2**

capacità: **4 lt.**

Peso lordo : **kg 7,8**

Imballo: **cassa in legno**

Dimensioni imballo: **cm 40x25x10**

Profondità incasso: 80 mm incassabile in tutte le pareti

serie **TINO**

Article: **TV01**

typology **waste holder built in**

Finishes: **glossy brushed stari**

Material: **Stainless steel AISI 304**

Steel thickness: **mm 1,2**

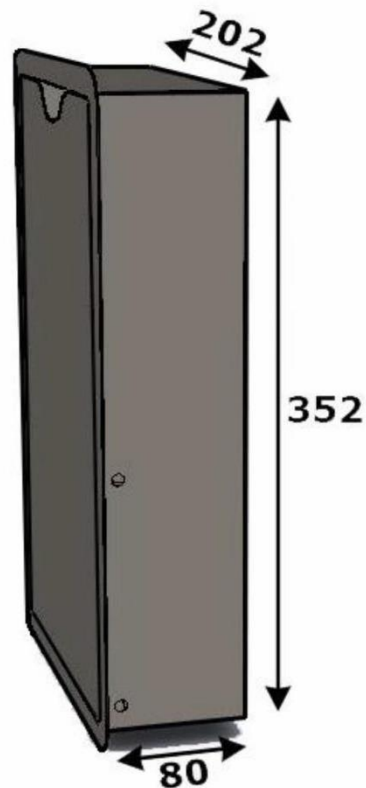
Volume: **4 lt.**

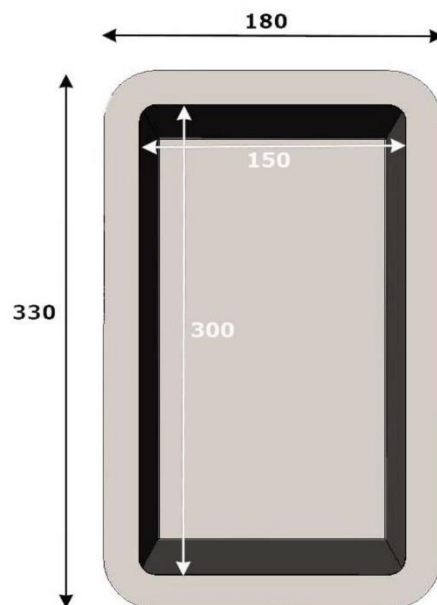
Gross weight: **kg 7,8**

Packing: **wooden crate**

Packing dimension: **cm 40x25x10**

Recessed depth: 80 mm cashable in all the walls





serie **TINO**

Articolo: **TN15**

tipologia **nicchia da incasso**

Dimensioni: **15 x 30**

Finiture: **lucida satinata stari**

Materiale: **Acciaio inossidabile AISI 304**

Spessore acciaio: **mm 1,2**

Peso lordo : **kg 3,5**

Imballo: **cassa in legno**

Dimensioni imballo: **cm 35x20x10**

Profondità incasso: 80 mm incassabile in tutte le pareti

serie **TINO**

Article: **TN15**

typology **niche built in**

Dimensions: **15 x 30**

Finishes: **glossy brushed stari**

Material: **Stainless steel AISI 304**

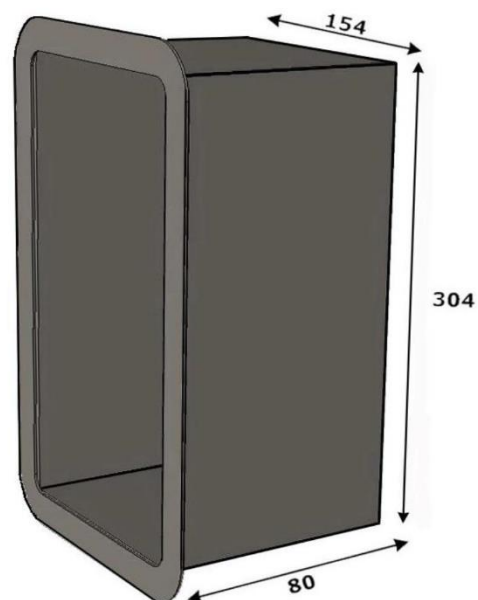
Steel thickness: **mm 1,2**

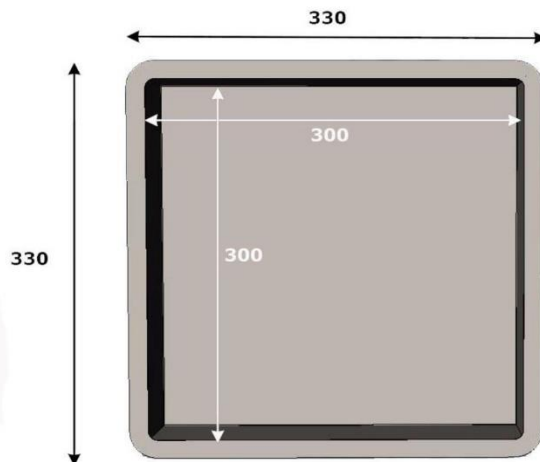
Gross weight: **kg 3,5**

Packing: **wooden crate**

Packing dimension: **cm 35x20x10**

Recessed depth: 80 mm cashable in all the walls





serie **TINO**

Articolo: **TN30**

tipologia **nicchia da incasso**

Dimensioni: **30 x 30**

Finiture: **lucida satinata stari**

Materiale: **Acciaio inossidabile AISI 304**

Spessore acciaio: **mm 1,2**

Peso lordo: **kg 5,2**

Imballo: **cassa in legno**

Dimensioni imballo: **cm 35x35x10**

Profondità incasso: 80 mm incassabile in tutte le pareti

serie **TINO**

Article: **TN30**

typology **niche built in**

Dimensions: **30 x 30**

Finishes: **glossy brushed stari**

Material: **Stainless steel AISI 304**

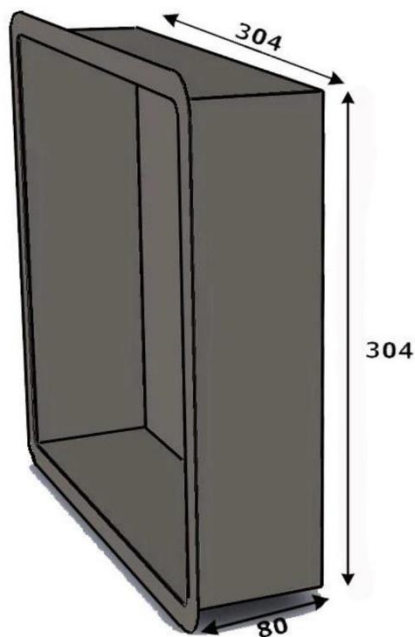
Steel thickness: **mm 1,2**

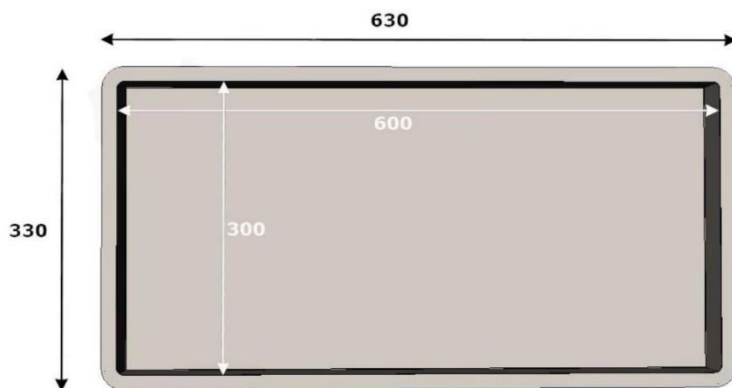
Gross weight: **kg 5,2**

Packing: **wooden crate**

Packing dimension: **cm 35x35x10**

Recessed depth: 80 mm cashable in all the walls





serie **TINO**

Articolo: **TN60**

tipologia **nicchia da incasso**

Dimensioni: **60 x 30**

Finiture: **lucida satinata stari**

Materiale: **Acciaio inossidabile AISI 304**

Spessore acciaio: **mm 1,2**

Peso lordo : **kg 7,5**

Imballo: **cassa in legno**

Dimensioni imballo: **cm 35x65x10**

Profondità incasso: 80 mm incassabile in tutte le pareti

serie **TINO**

Article: **TN60**

typology **niche built in**

Dimensions: **60 x 30**

Finishes: **glossy brushed stari**

Material: **Stainless steel AISI 304**

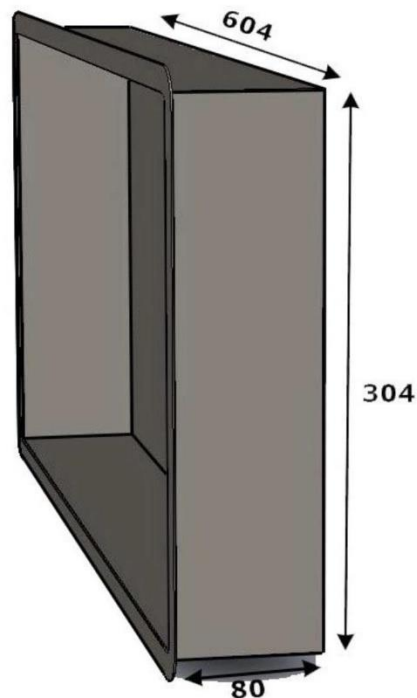
Steel thickness: **mm 1,2**

Gross weight: **kg 7,5**

Packing: **wooden crate**

Packing dimension: **cm 35x65x10**

Recessed depth: 80 mm cashable in all the walls





www.componendo.com

STILOX srl

Via G. Ceresani, 13/A
Loc. Campo dell'Olmo
60044 Fabriano (AN) ITALY
Tel. +39 0732 22016
Fax. +39 0732 21066

inox@componendo.com